

# DATASHEET

Name:  
Type:  
Designed by:

**SHADOWS**  
Pendant Light  
Lucie Koldova & Dan Yaffet



## DESCRIPTION

The combination of handblown glass, handcrafted wood, and classic shaping has given rise to a light of ageless elegance. The collection comprises four different suspension lights, as striking alone as they are in sets, characterized by a handblown glass shade set upon on a handcrafted wooden body.

## TECH. DESCRIPTION

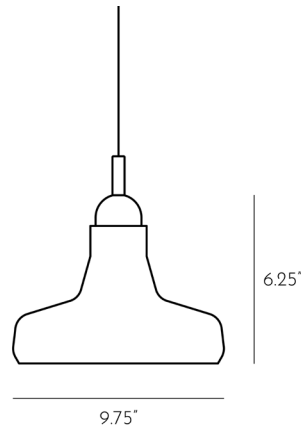
The light consists of five wooden bodies with connectors and GZ10 light source socket. It also includes lead cables with connectors (compatible with GZ10 and GU10 light sources), the glass shades, and a wood ceiling canopy.



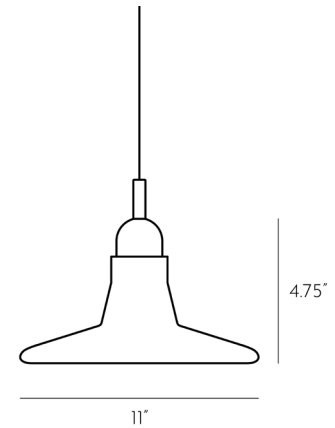
## CERTIFICATES



Class I (1)



Product ID: PC894



Product ID: PC895

## CONSTRUCTION SPECIFICATIONS

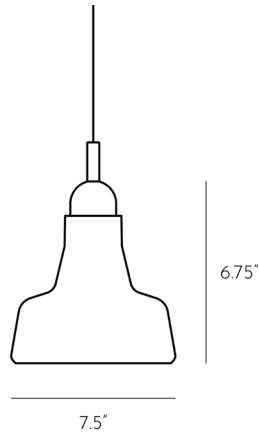
**Weight:** 1 kg  
**Construction material:** Glass, metal, wood  
**Cord Length:** 2,000 mm  
**Mounting:** Ceiling  
**Environment:** Indoor

**Weight:** 1 kg  
**Construction material:** Glass, metal, wood  
**Cord Length:** 2,000 mm  
**Mounting:** Ceiling  
**Environment:** Indoor

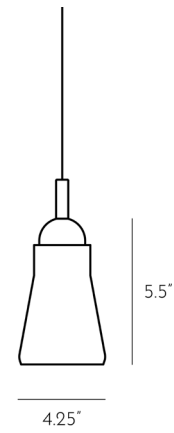
## ELECTRICAL SPECIFICATIONS

**Input voltage [V]:** 230 V  
**Frequency [Hz]:** 50-60 Hz  
**Max. power [W]:** 5 W  
**Coverage IP:** 20  
**Socket:** GZ10  
**Light source:** -  
**Energy class:** A+ to B depending on light source

**Input voltage [V]:** 230 V  
**Frequency [Hz]:** 50-60 Hz  
**Max. power [W]:** 5 W  
**Coverage IP:** 20  
**Socket:** GZ10  
**Light source:** -  
**Energy class:** A+ to B depending on light source



Product ID: PC896



Product ID: PC897

### CONSTRUCTION SPECIFICATIONS

**Weight:**

**Construction material:**

**Cord Length:**

**Mounting:**

**Environment:**

1 kg

Glass, metal, wood

2,000 mm

Ceiling

Indoor

1 kg

Glass, metal, wood

2,000 mm

Ceiling

Indoor

### ELECTRICAL SPECIFICATIONS

**Input voltage [V]:**

**Frequency [Hz]:**

**Max. power [W]:**

**Coverage IP:**

**Socket:**

**Light source:**

**Energy class:**

230 V

50-60 Hz

5 W

20

GZ10

-

A+ to B depending on light source

230 V

50-60 Hz

5 W

20

GZ10

-

A+ to B depending on light source

## LED SOURCE

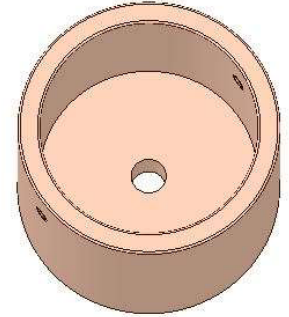
Socket	GU10
Type	LED
Lamp wattage [W]	5 W
Input voltage [V]	220-240 VAC
Energy class	A+
Flux [lm]	336 lm
Light colour [K]	2700K
CRI	90+
Lifespan [h]	25,000 hr
Dimmable	yes
Dimensions h x w [mm]	55 x 50 mm



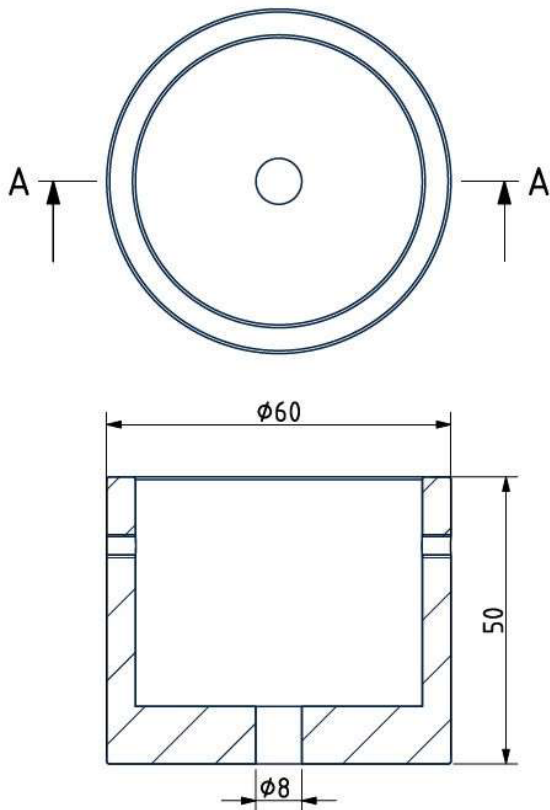
Product ID: CM2408  
Lampia GU10-60°

## CEILING CANOPY

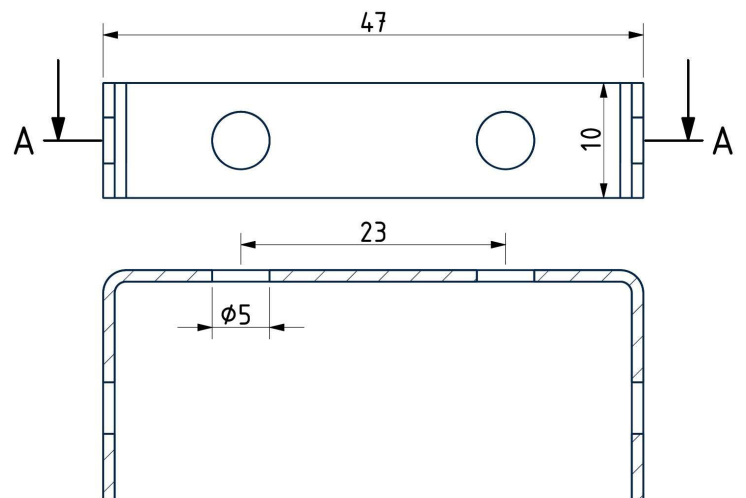
Dimensions $\varnothing$ x w [in/mm]	11" x 2" / 60 x 50 mm
Weight [kg]	0.15 kg
Material	Wood



## Drawing



## Canopy bracket



# PRODUCT OPTIONS

## Glass Colour

Transparent glass	CGC23
Smoke grey - transparent glass	CGC516
Smoke brown - transparent glass	CGC538
Opaline - transparent glass	CGC38
Triplex opal	CGC39
Black - transparent glass	CGC602
Pearl grey - opaline glass	CGC1916

## Glass Surface

Glossy Finish	CGSU66
Acid-etched outside surface	CGSU67

## Body Finishes

European oak - untreated	CCS657
European oak - clear coat	CCS972
European oak - natural waxed	CCS518
European oak - stained black	CCS592
European oak - stained white	CCS680
American walnut - natural waxed	CCS757

## Canopy Finishes

European oak - untreated	CCSC840
European oak - clear coat	CCSC976
European oak - natural waxed	CCSC841
European oak - stained black	CCSC839
European oak - stained white	CCSC838
American walnut - natural waxed	CCSC842

## Connection method

Brokis connector	CCM1019
------------------	---------

## Cable Colour

Textile cable - black	CECL519
Textile cable - white	CECL521
Textile cable - dark grey	CECL520
Textile cable - light grey	CECL1918
Textile cable - red	CECL530
Textile cable - yellow	CECL606

## LED Source

230V, GU10, 5W, 2700K, 336lm, RA90, 60°, DIM	LEDS1922
--	----------